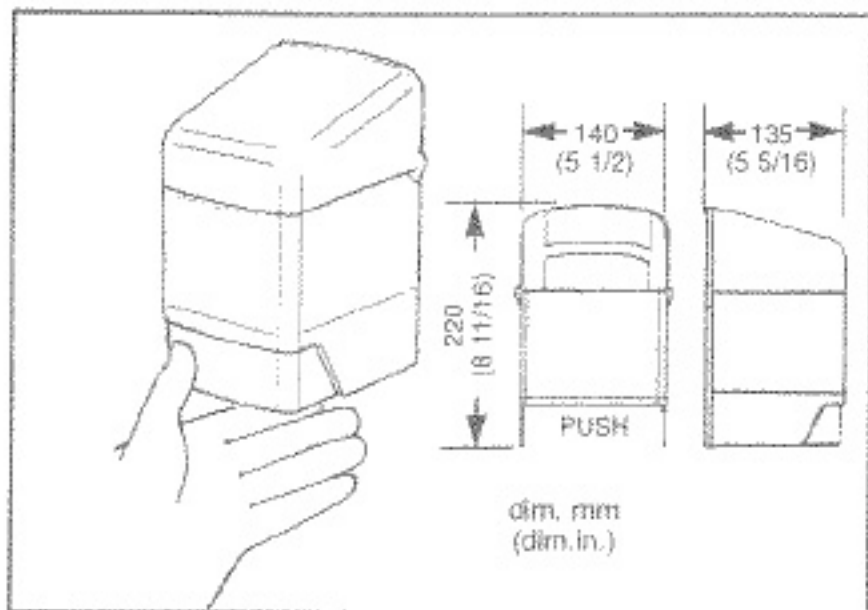


LS 50 LIQUID HAND SOAP DISPENSER INSTRUCTIONS



1. Push in tabs on back of wall bracket to lift off the top of the unit. (Figure 1)
2. To remove main housing of the unit from the wall bracket: Push in the tab lock located on the wall bracket (Figure 2) and slide main housing upwards (Figure 3).
3. To mount wall bracket: Adhesive Method- Clean wall surface with alcohol swipe. Peel backing off of the wall bracket to expose double-sided tape. Press wall bracket firmly to the wall surface area desired for unit location. Note: Let dispenser set for 24 hours before filling reservoir. Mounting screws- Select desired area to mount Dispenser. Determine where holes need to be drilled and mark the wall surface accordingly. Drill holes in the wall. Insert wall plugs through the wall bracket and into dry wall. Insert screws into wall plugs (Figure 4).
4. Once the wall bracket is securely mounted on the wall surface, slide main housing over V groove on the wall bracket (Figure 5).
5. Fill reservoir with liquid soap (Figure 6).
6. Snap top of unit into place (Figure 7).

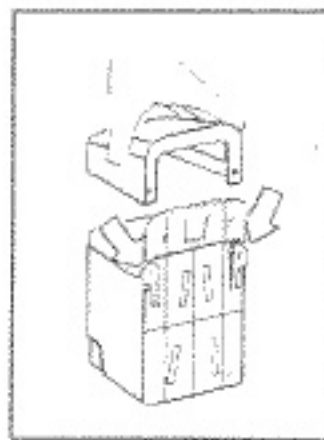


FIGURE 1

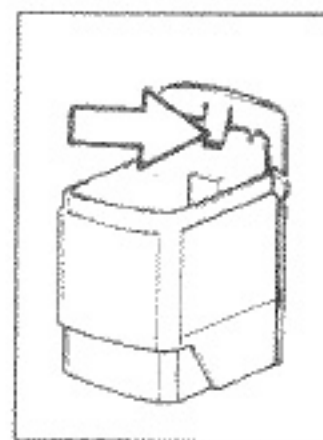


FIGURE 2

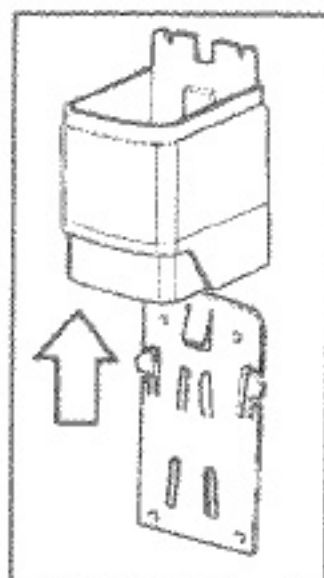


FIGURE 3

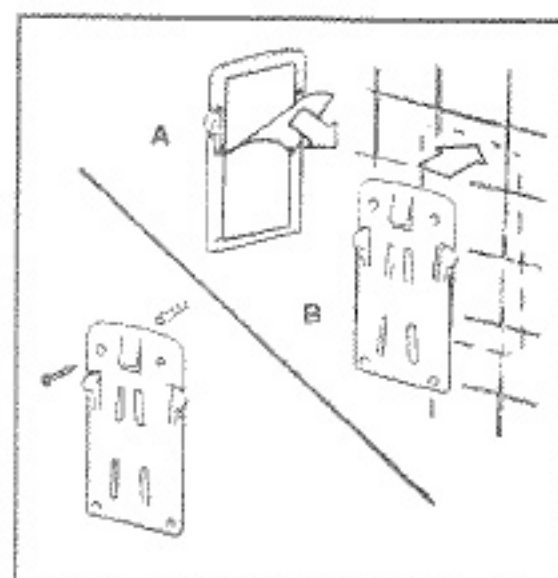


FIGURE 4

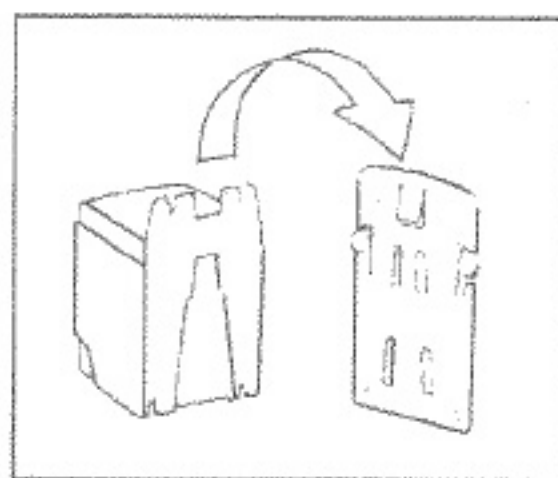


FIGURE 5

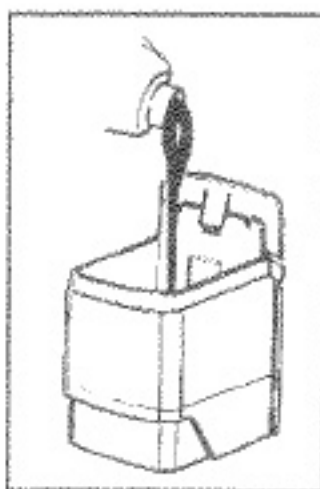


FIGURE 6

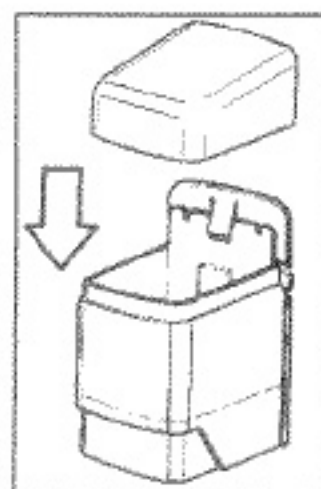


FIGURE 7