

DEMA SURE-MEASURE DISPENSER MODEL 301B, 301B-S

INSTALLATION INSTRUCTIONS

1. PARTS:

- A. Pump assembly
- B. Plastic tubing, 8' lg.
- C. 3 sheet metal screws in envelope.
- D. 5/8" hex nut.

2. INSTALLATION:

Mount pump on wall using screws provided. Connect one end of plastic tubing to inlet. Soften end of tubing may be cut to any convenient length before dropping into chemical container. The hex nut may be pushed over the end of the tubing as a weight to hold the tubing to the bottom of the container.

3. OPERATION:

WARNING: USE CARE WHEN HANDLING HAZARDOUS CHEMICALS.

Push the pump handle to prime the inlet tubing. Once primed, the pump will deliver one ounce of chemical with each full stroke.

4. SERVICING:

Dried fluid or dirt can impede the free movement of the position. Unscrew the knurled knob to inspect the piston parts. The inlet and outlet barbs may be unscrewed and soaked in hot water to clean the check valve balls and seats.

CAUTION: WHEN SERVICING UNIT BE SURE THAT REPLACEMENT PARTS HAVE BEEN INSTALLED ACCORDING TO DRAWING.

RETURNS:

NO MERCHANDISE MAY BE RETURNED FOR CREDIT WITHOUT DEMA'S WRITTEN PERMISSION. RETURN MERCHANDISE AUTHORIZATION NUMBER REQUIRED IN ADVANCE OF RETURN.

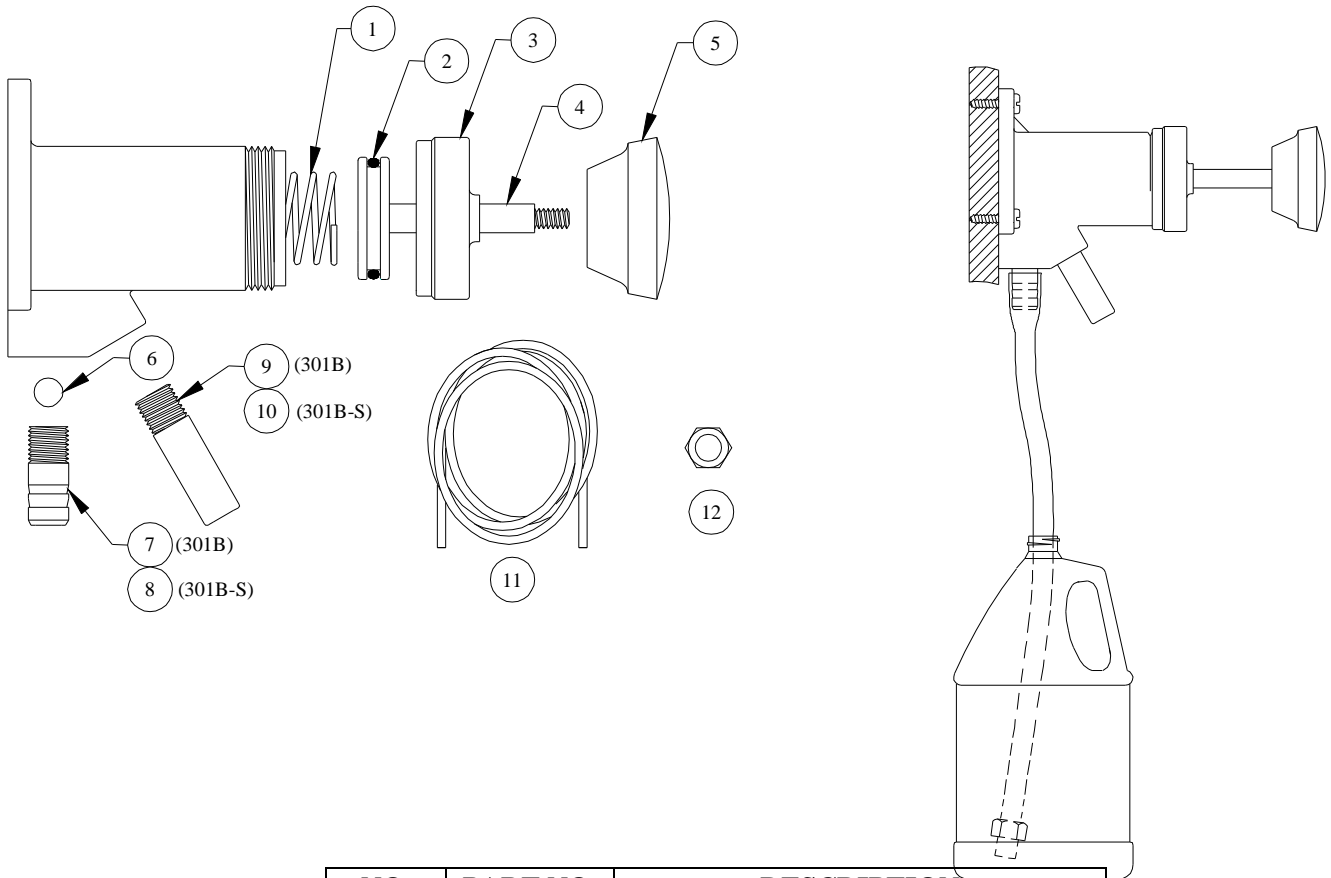
WARRANTY:

DEMA products are warranted against defective material and workmanship under normal use and service for one year from the date of manufacture. This limited warranty does not apply to any products which have a normal life shorter than one year or failure and damage caused by chemicals, corrosion, improper voltage supply, physical abuse, or misapplication. Rubber and synthetic rubber parts such as "o"-rings, diaphragms, squeeze tubing and gaskets are considered expendable and are not covered under warranty. This warranty is extended only to the original buyer of DEMA products. If products are altered or repaired without prior approval of DEMA, this warranty will be void.

Defective units or parts should be returned to the factory with transportation prepaid. If inspection shows them to be defective, they will be repaired or replaced without charge, F.O.B. factory. DEMA assumes no liability for damages. Return merchandise authorization number, to return units for repair or replacement, must be granted in advance of return.

DEMA SURE-MEASURE DISPENSER MODEL 301B, 301B-S

INSTALLATION INSTRUCTIONS



NO.	PART NO.	DESCRIPTION
1	30-7	Spring
2	30-5	O-Ring
3	30-11	Cap
4	30-12	Piston Assembly w/O-Ring
5	30-3	Push Knob
6	30-2	Check Valve Ball
7	30-8	Inlet Fitting (301B)
8	30-8S	Inlet Fitting-Stainless Steel (301B-S)
9	30-10	Outlet Check Valve Assy. (301B)
10	30-10S	Outlet Check Valve Assy.-Stainless Steel (301B-S)
11	100-12L	3/8" ID x 1/2"OD x 8' Lg. Supply Tubing
12	30-23	Weight