

Zep Dyna Clean Installation and Operator's Manual

I. Introduction

A. General Information

Read and understand all labels, MSDS, and this instruction manual before use.

The Zep Dyna Clean is an economical, safe, and innovative system designed to clean parts, using a solvent. This parts cleaner incorporates a " Remote Reservoir " design, which limits the loss of solvent through evaporation and also provides an additional fire safety feature. Many fire jurisdictions promote use of equipment incorporating this design feature. Check with your local fire jurisdiction for additional information.

Install your parts cleaner on a flat level surface in an area provided with adequate ventilation. Avoid repeated or prolonged breathing of vapors. Use of compressed air to dry parts may cause a high concentration of vapors in the immediate area. Local exhaust ventilation should be used in areas of high vapor concentration. Provisions for determining and maintaining adequate ventilation are the responsibility of the operator.

Do not allow the parts cleaner to operate unattended.

Make sure the parts cleaner is connected to a properly grounded 115 volt, 60 HZ. electrical power source.

This equipment is designed for use with Zep Dyna 143, Zep Dyna 170, Zep Dyna 680 T2, Zep Dyna 5202, Zep Dyna Blue, and Zep Zone Defense solvents which have a flash point greater than 38°C. (100°F.). Use only one of these solvents. Do not use flammable solvents. Do not add any other chemicals to the cleaning solvent including, but not limited to, kerosene, fuel oil, gasoline, chlorinated solvents, or detergents. The use of any other solvents could potentially cause a hazardous condition.

Under certain conditions the solvent could burn. For your protection, a fusible link automatically closes the cover of the parts cleaner in the event that a fire occurs in the sink work area. The closed cover contains and smothers the fire inside the metal sink. Do not leave large objects in the parts cleaner or hang anything on the cover that could prevent it from closing in the event of a fire. Do not replace fusible link with any other device to hold cover up.

Do not place heavy objects on edges or front of sink. Although this parts cleaner is designed to be stable, uneven weight distribution could cause a hazardous condition, over which the manufacturer has no control.

Zep Dyna Clean Installation and Operator's Manual

B. Safety

Complete safety in use is dependent upon proper use and handling of the parts cleaner in your workplace.

It is important that you follow the instructions provided in this manual. If you fail to read, understand, and follow all of the procedures in this manual, you may cause or suffer personal injury.

Avoid prolonged contact with hands. Use gloves or barrier cream.

Wear protective safety glasses suitable to prevent solvent splashing into eyes.

Wear a protective apron or garment to avoid absorption of solvent into clothing.

II. Safety Instructions and information

A. Fire

In case of a fire:

Use a Type ABC or Type BC fire extinguisher.

Do not use water.

Contact your local fire department.

Do not use flammable solvents.

When cleaning carburetors or other fuel supplying components, remove all gasoline into a proper disposal container before placing the component into the parts cleaner. Gasoline has a lower flash point than mineral spirits solvent. If gasoline is added, the flash point of the solvent may be lowered.

Do not spray aerosols into or around this machine. Install the equipment in an area away from heat, sparks, and open flame. Never put hot parts into the solvent.

Do not leave solvent-soaked rags in parts cleaner, wadded up on workbenches, or in uncovered containers.

Soak up all solvent spills with absorbent material. Remove all solvent-soaked material in accordance with regulatory requirements.

Zep Dyna Clean Installation and Operator's Manual

B. First Aid (Medical instructions)

- 1. EYES:** Contact may cause slight to moderate irritation. High vapor concentrations (<500ppm) are irritating to the eyes. **For direct contact, flush eyes with water for 15 minutes. If irritation from vapors or mists develops, move victim into fresh air.**
- 2. SKIN:** Prolonged or repeated contact tends to remove skin oils, possibly leading to dermatitis. **Remove contaminated clothing, wash skin with soap and water. If irritation or pain develops or persists, consult a physician.**
- 3. INHALATION (Breathing):**
High concentrations of vapor or mist may be irritating to the respiratory tract and may have other central nervous system effects. **Remove to fresh air immediately. Do not leave victim unattended. Consult a physician if necessary.**
- 4. INGESTION (Swallowing):**
Low order of acute oral toxicity. **Drink 4 to 8 ounces of water and seek medical attention. DO NOT induce vomiting.**

C. Environmental

- 1. Avoid spilling solvent.** If solvent is spilled, clean it up immediately. Consult Material Safety Data Sheet for instructions on clean up and disposal.
- 2. Contain leaks promptly.** Notify local environmental authorities if necessary.
- 3. Proper housekeeping in the area of the parts cleaner is the responsibility of the user.**
- 4. Check with your local jurisdiction for any other applicable hazardous materials compliance requirements.**
- 5. Do not remove devices designed to reduce solvent evaporation except to process work or to perform maintenance. This parts cleaner incorporates a " Remote Reservoir " design, which limits the loss of solvent through evaporation and also provides an additional fire safety feature.**
- 6. For further information consult the Material Safety Data Sheet provided by the solvent supplier.**

Zep Dyna Clean Installation and Operator's Manual

III. Installation

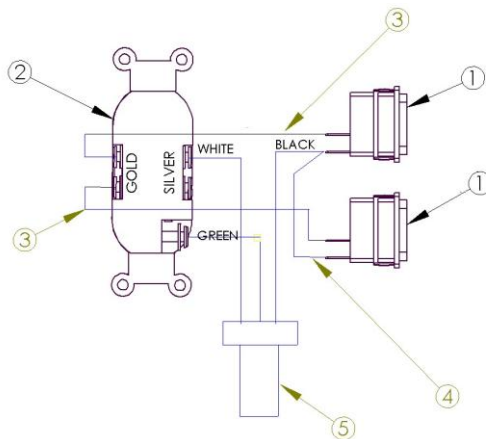
- A. Position the drum on a hard level surface in a well-ventilated area.
- B. Unpack the parts.
- C. Connect the extra black tube (included in the parts package), to the tube fitting on the top of the pump.
- D. Hang the pump assembly inside the drum with the hook hanging over the back of the drum.
- E. Place the sink on the drum so the collar on the bottom of the Dyna Clean fits inside the drum.
- F. Feed the pump cord and the black hose through the notch in the pump plate on the back of the machine. Secure the cord to the pump plate with the plastic wire tie (included in the parts package).
- G. Screw the threaded knob (included in the parts package) into the bracket on the bottom of the sink to secure the sink to the drum.
- H. Slide the filter assembly into the bracket on the bottom of the sink (left front corner). Use the spring clip to secure the filter in the bracket.
- I. Connect the white tube (included in parts package) from the “outlet” on the filter assembly to the tube fitting on the fluid tube on the back of the sink. Connect the black tube from the pump to the tube fitting on the “inlet” on the filter assembly.
- J. Place the strainer and grate in the drain hole in the bottom of the sink.
- K. Plug the pump cord into the “pump” receptacle on control box.
- L. Plug the power cord into a 115VAC/60HZ/15amp grounded receptacle.
- M. Fill solvent reservoir with 20 gallons (75.7 L) of solvent by pouring through the sink while on the drum.

Zep Dyna Clean Installation and Operator's Manual

IV. Operation

1. Open cover of parts cleaner.
2. Place parts to be cleaned in the center of the parts washer.
3. Adjust solvent flow over parts to be cleaned.
4. Turn on the switch located on the right side of the machine to start the flow of solvent.
5. Open the valve to allow fluid to flow through the brush.
6. To soak parts, place the magnetic stopper over the drain hole and fill the sink to a level not to exceed 6" in depth.
7. Turn off unit when operation is complete. Do not allow unit to operate unattended.
8. Allow excess solvent to drip from parts.
9. Remove the part from the parts washer.
10. Close cover to reduce solvent loss due to evaporation.

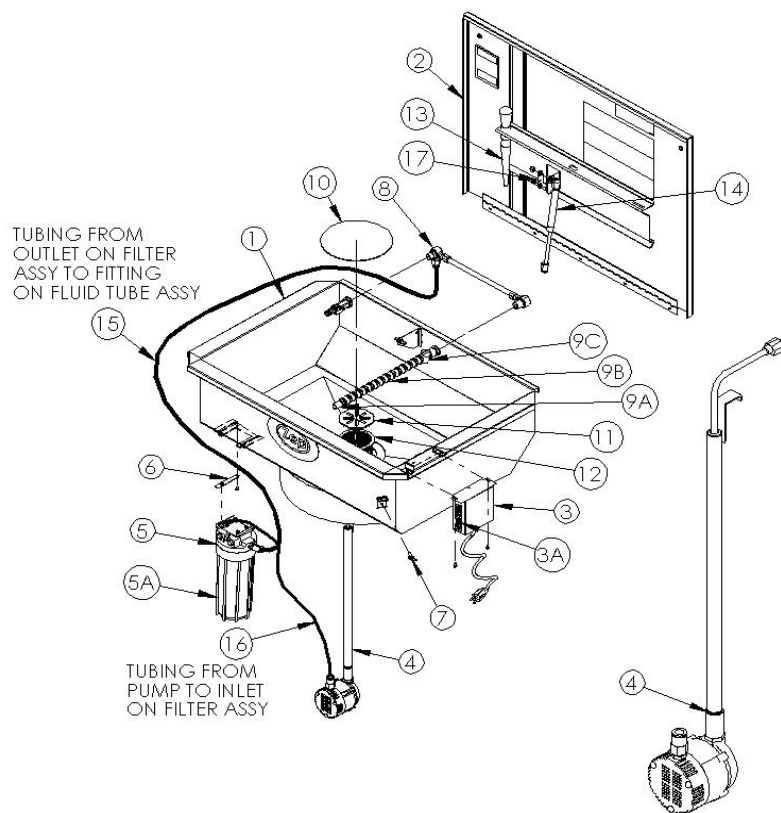
V. Electrical Schematic



ITEM #	QTY	DESCRIPTION
1	2	SWITCH, ROCKER, 115V
2	1	RECEPTACLE, 115V 15AMP
3	2	WIRE ASSY, BLK, ¼ QDC X #8 FORK
4	1	WIRE ASSY, BLK, ¼ QDC X ¼ PB
5	1	POWER CORD

Zep Dyna Clean Installation and Operator's Manual

VI. PARTS BREAKDOWN



ITEM	QTY	PART NO	DESCRIPTION
1	1	N/A	TANK WELD
2	1	N/A	COVER WELD
3	1	N/A	CTRL BOX
3A	2	S28501	SWITCH, ROCKER
4	1	916701	PUMP ASSY
5	1	901301	FILTER ASSY
5A	1	W12101	FILTER BOWL
6	1	W40501	CLIP, FILTER
7	1	W40001	KNOB, THREADED
8	1	W38601	TUBE ASSY, FLUID
9A	1	W38401	FLEXIBLE HOSE NOZZLE
9B	1	W38301	FLEXIBLE HOSE
9C	1	W38201	VALVE
10	1	W38501	STOPPER, MAGNETIC
11	1	W39401	GRATE, STRAINER
12	1	916601	STRAINER
13	1	S31501	BRUSH
14	1	02-10698-250	GAS SPRING 250LB
15	1	W39101	TUBE, 1/2" WHITE NYLON
16	1	W39201	TUBE, 1/2" BLACK NYLON
17	1	01178	FUSIBLE LINK