



# **Installation, Operation and Maintenance Manual**

## **PARTS WASHERS**

**Do not use or operate machine until  
this manual has been read and fully understood.**

# **Installation, Operation and Maintenance Manual**

## **PARTS WASHERS**

**2020, 2020E**

**2040, 2040E**

**2055E**

**2085E, 2085TE**

**2175E**

**2260E**

**Do not use or operate machine until  
this manual has been read and fully understood.**

# Table of Contents

Introduction	
Safety .....	1
Specifications.....	2,3
Set-Up and Operating Information.....	4,5
Routine Maintenance.....	6
Set-Up and Operating Information	
Wastewater Disposal System.....	7
Warranty.....	8
Limited Warranty.....	9

---

## IMPORTANT

If this machine is used by anyone who is not the owner or is loaned or rented, make certain that the operator(s) prior to operating:

- Is instructed in safe and proper use
- Reviews and understands the manual(s) pertaining to the machine
- Understands that this unit is for professional use only
- Failure to follow these instructions will void the machine warranty

## NOTICE

The manufacturer reserves the right to make improvements in design and/or changes in specifications at any time without incurring any obligation to install them on units previously sold.

# Introductory

---

To the Owner:

## CONGRATULATIONS

You have just purchased the finest piece of cleaning equipment available, and it is made in America! With proper care and maintenance, it will provide long and dependable service.

This manual contains safety suggestions and important instructions regarding this equipment. The basic model machines and fuel systems are explained, use the information applicable to your particular machine. **Read this manual thoroughly and retain for future reference.**

### Generic Symbols

The following group of symbols are used in this manual to help communicate the intent of the instructions. When one of the symbols appears, it conveys the meaning defined below:



**Safety Alert**-Serious injury or damage can result if instructions are **not** followed.



**Inspection Required**



**Hourly Service Interval**



**Unacceptable (Not OK)  
Condition**

### IMPORTANT NOTICE

If replacement parts are required, use only genuine original equipment parts. DO NOT use unauthorized parts or substitute materials.

# Safety



Before you put your Parts Washer into service, inspect the equipment and check for freight damage as soon as it is received. If you find any damage, call the nearest terminal of the freight company that delivered the machine. Have the freight driver note on his invoice the type of damage before leaving. Do not put the machine into service until the inspector from the freight company arrives or the freight company agrees to pay for the damage. Remember, if the damage was caused by the freight company, your claim for damage is against the freight company!



Do not turn on your parts washer before you are sure that the wire and circuit breakers are rated to run the amp draw of the washer. Check the ID tag on the rear of the power box for this information.



**TO RECEIVE PROPER WARRANTY COVERAGE, WARRANTY CARD MUST BE RETURNED T UPON RECEIVING MACHINES.**

## WARRANTY CARD

COMPANY NAME \_\_\_\_\_

COMPANY ADDRESS \_\_\_\_\_

CITY \_\_\_\_\_ STATE ZIP \_\_\_\_\_ CODE \_\_\_\_\_

PHONE#( ) \_\_\_\_\_

CONTACT PERSON \_\_\_\_\_

DATE OF PURCHASE \_\_\_\_\_

MODEL# \_\_\_\_\_ SERIAL# \_\_\_\_\_

PURCHASED FROM \_\_\_\_\_

I HAVE READ THE WARRANTY AND THE OWNER'S MANUAL AND UNDERSTAND ALL OF THE CONTENTS.

CUSTOMER SIGNATURE \_\_\_\_\_

# Specifications

## 2000 SERIES PARTS WASHERS

Model	2020	2020E	2040	2040E	2055E
Water capacity	20 gal	20 gal	40 gal	40 gal	55 gal
Motor	1.5 hp	1.5 hp	2 hp	2 hp	2hp
Voltage Phase	115v 1ph	230v 1ph	230v 1ph	230v 1ph	230v 1ph
Pump	F.S.	F.S.	F.S.	F.S.	SL
Load capacity	500 lbs	500 lbs	1,000 lbs	1000 lbs	1000LB
Load height	25"	25"	31"	31"	31"
Turn table	18"	18"	24"	24"	24"
Basket	STD	STD	STD	STD	STD
Door cover	S.S.	S.S.	S.S.	S.S.	SS
Seal-less door	STD	STD	STD	STD	STD
Heaters	2.5 kw	5 kw	7 kw	7 kw	7 kw
Oil skimmer	OPT	STD	OPT	STD	STD
Gauge steel	10 ga	10 ga	10 ga	10 ga	10ga
Dimensions Length Width Height	35" 38" 69"	35" 38" 69"	40" 44" 75"	40" 44" 75"	40" 55" 75"
Shipping weight	425 lbs	440 lbs	650 lbs	665 lbs	700lbs

F.S. - Flush Pump

SL. - Sealless

S.S. - Stainless Steel

STD - Standard

# Specifications

## 2000 SERIES PARTS WASHERS

Model	2085E	2085TE	2175E	2260E
Water capacity	85 gal	85 gal	175gal	260 gal
Motor	3hp	5hp	7.5hp	15hp
Voltage Phase	230v 1ph	230v 3ph	230v 3ph	230v 3ph
Pump	SL.	SL.	SL.	SL.
Load capacity	1,500 lbs	1,500 lbs	2,000 lbs	3,5000 lbs
Load height	41"	51"	54"	72"
Turn table	28"	28"	40"	52"
Basket	STD	STD	STD	STD
Door cover	S.S.	S.S.	S.S.	S.S.
Seal-less door	STD	STD	STD	STD
Heaters	10KW	12KW	24KW	30KW
Oil skimmer	STD	STD	STD	STD
Gauge steel	10ga	10ga	10ga	10ga
Dimensions Length Width Height	42" 61" 89"	42" 61" 97"	53" 78" 96"	87" 91" 126"
Shipping weight	1,080lbs	1,250lbs	1,820 lbs	3,070lbs

F.S. - Flush Pump

SL. - Sealless

S.S. - Stainless Steel

STD - Standard

**Specifications****PARTS WASHER SPEC CHART****ELECTRIC:**

MODEL	PSI	GPM	SPRAY JETS	VOLT/PHASE	(FUSED FOR) AMP DRAW	PUMP HORSEPOWER
2020	35	55	36	110V 1PH	20	1.5
2020	35	55	36	220V 1PH	40	1.5
2020E	35	55	36	220V 1PH	40	2.0
2040	35	85	56	220V 1PH	45	2.0
2040E	35	85	56	220V 1PH	45	2.0
2040E	35	90	58	220V 3PH	45	2.0
2040E	35	90	58	480V 3PH	25	2.0
2085E	45	130	72	220V 1PH	60	3.0
2085E	45	130	72	220V 3PH	40	3.0
2085E	45	130	72	480V 3PH	25	3.0
2085TE	45	140	84	220V 1PH	60	5.0
2085TE	45	140	84	220V 3PH	40	5.0
2085TE	45	140	80	480V 3PH	25	5.0
2175E	45	225	124	220V 3PH	80	7.5
2175E	45	225	124	480V 3PH	50	7.5
2260E	50	300	168	220V 3PH	100	15.0
2260E	50	300	168	480V 3PH	50	15.0
2260TE	50	300	180	220V 3PH	100	20.0
2260TE	50	300	180	480V 3PH	50	20.00

**NG/LP GAS FIRED**

2085E	45	130	72	220V 1PH	25	3.0
2085E	45	130	72	220V 3PH	25	3.0
2085E	45	130	72	480V 3PH	15	3.0
2085TE	45	140	84	220V 1PH	25	5.0
2085TE	45	140	84	220V 3PH	25	5.0
2085TE	45	140	84	480v 3ph	15	5.0
2175E	45	225	124	220V 3PH	25	7.5
2175E	45	225	124	480V 3PH	15	7.5
2260E	50	300	168	220V 3PH	40	15.0
2260E	50	300	168	480V 3PH	25	15.0
2260TE	50	300	180	220V 3PH	60	20.0
2260TE	50	300	180	480V 3PH	40	20.0

**2&3 CONTINUED**



# Set-Up and Operating Information



## LOCATION:

1. Well ventilated area required.
2. Must be well protected from weather.
3. Must sit level
4. DO NOT locate on or near flammables.
5. DO NOT place near:
  - Wash racks
  - Pressure Washers
  - Steam Cleaners
  - Areas subject to hose downs or splashing water
6. 10" of clearance required on all sides of parts washer.

4. Verify on Serial No. Plate on the power box proper voltage, amperage, and phase requirements.

**Note:** The pump must run clockwise.

### EXAMPLES OF STANDARD UNITS:

Model 2020	120 volt/1 phase 20 amp
Model 2020	220 volt/1 phase 35 amp
Model 2040	220 volt/1 phase 45 amp
Model 2085E	220 volt/1 phase 60 amp
Model 2085TE	220 volt/3 phase 40 amp
Model 2175E	220 volt/3 phase 80 amp
Model 2060E	220 volt/3 phase 100 amp

5. Provided your power source matches item #4, connect parts washer to the power supply with the proper sized and phased main breaker, circuit breaker, proper sized electrical wire and conduit, and ground wires. ***DO NOT*** take any of this for granted.
6. Connect the correctly sized vent duct to the top of the vent stack. The 2085-2260 duct needs to be removable to service the oil skimmer. Flex aluminum dryer vent duct can be used with a 4" to 6" vent stack. Any vent duct more than 10' in length will also need an external ventilator boost fan. The vent should be designed as short as possible with the least amount of bends and elbows as possible.



## SETUP AND INSTALLATION

1. After choosing proper location install leg bolts and level the parts washer.
 

**NOTE LEVEL 2260 DOOR WITH THE LEG BOLTS.**
2. Open the door and with a standard hose fill the parts washer reservoir with clean tap water. The water level should be 1/2" Below the rear screen / right rear screen filter below the turn table. You need to check and refill your washer every day.



**{(ALL (E) MODEL WASHERS MUST VENT TO THE OUTSIDE OF YOUR FACILITY)}**

7. If your parts washer is equipped with the why worry option
  - a) Follow step #2 to fill the washer.
  - b) Read your timer instructions.
  - c) Set your oil skimmer timer on channel-1 of the digital timer. **Note:** The solenoid on the left side or right rear of the parts washer, this is where the waste oil will be flowing out of your parts washer. Make sure you have a container under it to catch the waste oil. This solenoid will automatically open when the oil is skimming and close when skimmer turns off. Do not try to wash parts when the oil skimmer is operating. It is best to skim the oil on cold still water. This is when the oil is thick and floating on the surface of the water. Set your skimmer to turn on approximately 1/2 hour before the heat timer is turned on. The heat timer is set on channel 2 of the digital timer. Set the oil skimmer to turn off just before the water heat is turning on. Set the heat timer to turn off at the end of the shift.



**NOTE TO #2:** If your parts washer is equipped with the stainless steel auto water fill tank-low water shutoff system, see steps a & b.

- a) Open the washer door and fill the washer with the water hose. Turn off the water, then connect the water hose to the stainless steel tank on the rear of the washer. Turn the water on.
- b) This fill tank is a 15 g.p.h. water makeup system. **DO NOT** try to fill your empty parts washer with this system.

3. Check to make sure all electrical switches and controls are off.

**Instruction for setting the why worry timer Omron H5S**

The following are descriptions of the different parts of the digital Omoron timer

1. LED display
2. mode switch – to the right of the display panel labeled P1, P2 Run
3. day keys – below the display screen
4. Auto/on/off switch- below sun-wed
5. hour switch – labeled h
6. minute switch labeled m
7. write key – to the right of the minute switch
8. reset – open door below screen reset is located in the upper right hand corner
9. P1 is the oil skimmer
10. P2 is the water heater

**Setting time:**

1. Set mode switch to run
2. Push the day of the week
3. Set time using the h key and the m key.
4. When time is correct push write

**Note:** When setting P1 the oil skimmer and P2 the water heater make sure that the display window shows a line above each day that will be set.

**Setting P1 (oil skimmer)**

1. Set mode Switch to P1
2. Set beginning time using the hour switch(h) and then the minute switch (m) ex:5:30
3. Push the write button
4. Follow same procedure to set shut off time ex: 6:00

**Setting P2 (water heater)**

1. Set mode switch to P2
2. follow steps 2- 4 above ex:600 – 18:00

**Note:** After setting P1 and P2 push mode switch to run

**Note:** Both auto/on/off switches (out 1 and out 2) should be set to auto. You can manually override the timer by switching either switch (P1 or P2) to the on position. This is useful when working after hours, weekends. Remember to switch back to auto.

**Note:** To reset the timer open door and push the reset button.

# Set-Up and Operating Information



## START UP:



1. 2020 120 volt parts washer, turn on the main power switch. The large Red pilot light will illuminate. This tells you that the unit is on and heating. This switch needs to be turned off at the end of the work day.  
*Note: (Check water level every day and fill as needed.)*
- 1-A. On all other washers locate the heat timer.  
*Note: (timer reads in hours)* turn it on for the desired amount of hours you want the washer to stay hot.  
*Note:* on (E) models, locate the switch reading water heat on and flip it to the down position.
2. Heat the parts washer water for 60 minutes before adding soap.  
*Note: (Do Not add soap to cold water).*
3. Open the door "Salt in the soap" in 2-pound increments, close door and secure latch.
4. Turn on the wash timer switch" for 2-minutes, let the parts washer run until it shuts off.
5. Repeat steps 3 & 4 until the desired amount of soap is added to the hot wash water.



**Note:** Use only approved soap in your parts washer. Follow the soap manufactures recommendations. Never introduce or use flammables or corrosives in your soap and water parts washer!



## DAY TO DAY USE AND OPERATION



- 1 Check and refill the washer with water every day. **NOTE** your washer loses 8 to 10 gallons of water a day. Failure to follow this simple instruction can result in immersion heater failure and pump damage.  
**We do not warranty neglect.**



## DAY TO DAY USE AND OPERATION



- 2 **IF YOUR WASHER IS EQUIPPED WITH AN OIL SKIMMER-** skim the oil every day. Locate the oil drain on the left side or right rear of the parts washer. (Brass hose bib) place a waste oil container under the drain and open the drain. Turn the oil skimmer switch on; skim the oil for 1/2 hour. Turn off the oil skimmer switch and shut off the drain valve. Remove and dispose of the waste oil in the container in a safe and proper manner.  
**NOTE**  
A) only skim the oil on cold still water (first thing in the morning.)  
Do not try to skim the oil with the washer pump or vent fan running.  
Skimming time is approximate.
- 2A 2085E-2260E.  
Every 60 days open the vent fan box. (see next page) (located behind the pump motor) and clean the oil skimmer paddle and drain and if equipped the drain screen.
- 3 Open the door and load the part you want to wash into the washer. If the load looks like it might jam and stop the turntable, turn the turntable by hand and adjust the load accordingly.
- 4 Shut and latch the door. Turn the wash timer control knob to the number of minutes you want to wash the parts. Most parts can be cleaned in 10 minutes or less.  
**NOTE: (ALL MODELS EXCEPT 2260)** to check to see if the load is turning look inside of the turntable motor box through the slotted holes and see if the belt is turning.
- 5 Before you open the door to unload your clean parts make sure the wash timer is turned off and the pump is not running. Wait 20 seconds and slowly open the door.
- 6 If your parts washer is equipped with the optional 7-day water heat timer, open the clock box mounted on the control box and set the timer and skip a day program as per instructions on the inside of the cover.
- 7 Now your parts washer is ready to use.



•MAINTAIN AND CLEAN•

**SERVICE NOTES:**

1. TO CLEAN OIL SKIMMER WHEEL AND VENT FAN AREA, BEGIN BY DISCONNECTING POWER SUPPLY.
2. REMOVE OR DISCONNECT ANY PLUMBING FOR THE EXHAUST FAN TUBE.
3. REMOVE FASTENER, AND OPEN VENT FAN COVER TO GAIN ACCESS TO THE OIL SKIMMER.
4. CLEAN SKIMMER WHEEL, AND VENTILATION AREA.
5. REASSEMBLE COVER AND VENT PLUMBING.
6. CHECK CONNECTIONS OF ASSEMBLY, AND RECONNECT POWER SUPPLY.

TITLE	SERVICE BULETIN
DESCRIPTION	2085 - 2260
	DWG XPW-0014-B

# Routine Maintenance



## Service Notes



- 1 Every day refill the machine with water to the proper level.
- 2 If you have an oil skimmer, use it every day.
- 3 Every 2 or 3 days clean your pump filter screens.
 

**2020 & 2040 filter service**

  - a) Open the washer door.
  - b) Locate and remove the thumbscrew on the left side of the stainless steel front tank cover.
  - c) Open the hinged trap door.
  - d) Locate the top of the pump filter screen and pull it straight up and remove it from the parts washer.
  - e) Clean the filter screen and reassemble the parts washer in the reverse order.

**NOTE:**  
Operating your parts washer with a missing or plugged filter will void your warranty.

**2085-2260 filter service.**

  - a) Open the washer door.
  - b) Locate the screen filter under the turntable and make sure it is clean.
  - c) Shut the door.
  - d) Locate the stainless steel drain cover in front of the pump mounted on the tank on the left side of the washer. Turn the 2-knobs on the stainless steel drain cover and remove the cover.
  - e) Locate the screen filter mounted to the front of the pump and pull it straight up and remove it from the Parts washer.
  - f) Clean the filter screen and reassemble the parts washer in the reverse order.
  - g) Use the small parts soak basket for all the small parts you used to soak in the 5 gallon pails of chemical or air agitator systems.

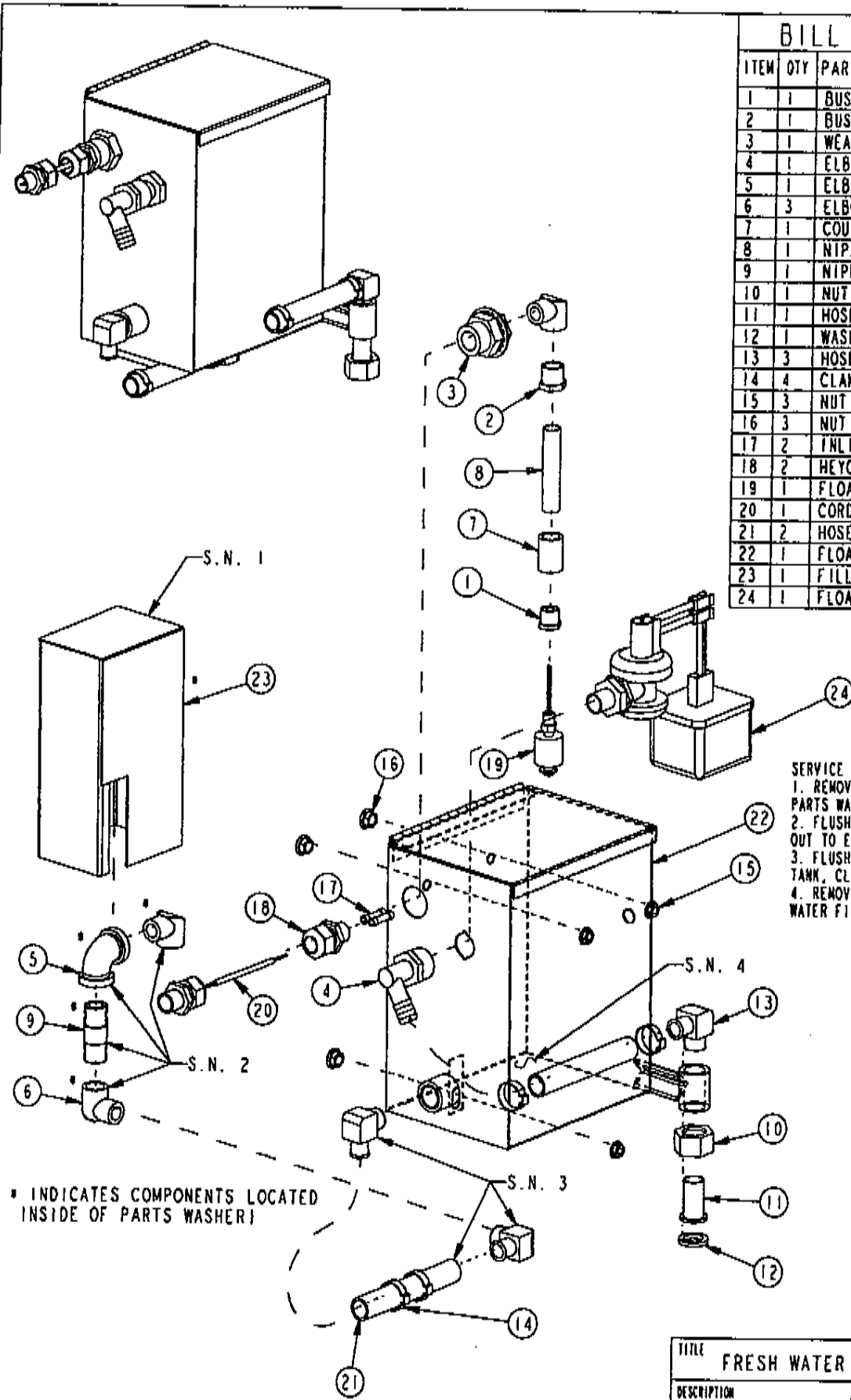
**NOTE:**  
Clean your filters every 2 or 3 days or as needed.  
***Operating your parts washer with a missing or plugged filter will void your warranty***
- 4 Every week add a small amount of soap to make up for what soap is lost due to normal washing operations.
- 5 Every 2 weeks flush the spray bar. To do this operation, open the door and look up to the left. Locate the 3/4" pipe plug in the spray bar and remove it. Take a small wire and poke it into every hole in the spray bar. You will find these holes on the top right and lower left of the spray bar and down both sides of the washer.

These holes are spaced every 1-1/2" apart. There are no holes in the lower right or the upper left of the spray bar. Once you have done this shut the door and turn the washer on for 5 minutes. After the washer shuts off, open the door and reinstall the 3/4" pipe plug. This operation keeps the spray bar clean and your parts washer cleaning at its peak performance.

- 6 Every 30 days check the turntable drive belt and Allen set screws on the drive belt pulleys. To adjust the drive belt, turn off the power to the parts washer at the main fuse box. Open the hinged top cover. There is an adjustment bolt with a lock nut at the rear of the motor mount system. A 9/16" wrench will fit the bolt. Open the front door of the parts washer, turn the turntable by hand and watch the belt. Make sure that the belt has adequate tension to turn the turntable but not so tight that the belt cannot slip if the turntable is jammed.
- 7 Every 35 days or less remove the wastewater from your parts washer. You do not want more than 3" of sludge left in the bottom of the tank. This means that after 35 days you dispose of the wastewater and you have more than 3" of sludge you need to clean it out in less than 35 days, say 25 days. On the other hand if you have less than 3" of sludge in 35 days you may want to wait as long as 60 days between cleanings. After a few services you will find your own cleaning schedule.  
**NOTE:** always disconnect/unplug the parts washer from its electrical power source before performing any service to the parts washer. If the washer is equipped with a fresh water fill unit turn off the water. To clean out the water reservoir open the door and remove the turntable. This is done by removing the bolt at the top of the turntable. Next, remove the rear screen /filter. Now Remove the stainless steel reservoir cover Make sure to remove and clean all screens and filters, clean out the washer and clean and check the immersion heaters. ***(Clean out the fresh water fill piping!)*** ***(see next page)***  
Reassemble the parts washer in the reverse order of the instructions. When remounting the turntable check the bottom shaft support block, it must have the ball bearing in the shaft guide hole in place before reinstalling the turntable.
- 8 Dispose of all wastes, concentrates and sludge as required by all environmental regulations and laws. As the contents of this waste will vary with every user, no standard management method can be offered.
- 9 To restart the washer (see install and setup)

### BILL OF MATERIALS

ITEM	QTY	PART DESCRIPTION	PART \ DRWG
1	1	BUSHING	01-101103
2	1	BUSHING	01-101503
3	1	WEATHER HEAD	01-103001
4	1	ELBOW	01-111300
5	1	ELBOW	01-111303
6	3	ELBOW	01-131303
7	1	COUPLING	01-201203
8	1	NIPPLE	01-271403
9	1	NIPPLE	01-281303
10	1	NUT	01-401000
11	1	HOSE ADAPTOR	01-401010
12	1	WASHER	01-401020
13	3	HOSE BARB	01-411602
14	4	CLAMP	01-451202
15	3	NUT	02-301100
16	3	NUT	02-301300
17	2	INLINE CONNECTOR	03-181500
18	2	HECYO CONN.	03-192520
19	1	FLOAT SWITCH	04-131000
20	1	CORD, SJ	2108-48
21	2	HOSE	2207-12
22	1	FLOAT TANK	BPW-0060
23	1	FILL COVER	BPW-0586
24	1	FLOAT VALVE ASS'Y	K01-0199



**SERVICE NOTES:**  
 1. REMOVE FILL COVER WHEN CLEANING PARTS WASHER.  
 2. FLUSH OR BLOW PLUMBING FITTINGS OUT TO ENSURE CLEAR OPERATION.  
 3. FLUSH OR BLOW FITTINGS FROM FILL TANK, CLEAN AND HOSE WASH INSIDE TANK.  
 4. REMOVE EXCESS WATER FROM FRESH WATER FILL TANK.

\* INDICATES COMPONENTS LOCATED INSIDE OF PARTS WASHER!

TITLE	FRESH WATER FILL/ LOW WATER KIT
DESCRIPTION	ALL P/W
DWG#	KPW-0008

D 4-Jan-02 BH ADDED SERVICE NOTES (S.N.1-4)

## Set-Up and Operating Information



### OPERATING THE (E) MODEL WASTEWATER DISPOSAL SYSTEM



- 1 Skim and remove floating oils with the (OIL SKIMMER). Shut off the oil skimmer and drain valve.
- 2 Make sure the heat timer and wash timer are turned off. **NOTE:** if your unit is equipped with a fresh water makeup tank make sure it is turned off.
- 3 Flip the switch on the control panel marked "WATER EVAP ON" up. This switch action turns off and disables the turntable and pump motors and immersion heaters in the tank.  
**NOTE: DO NOT RETURN THIS SWITCH BACK TO WATER HEAT ON UNTIL THE WASHER IS FULL OF WATER.**
- 4 Turn on the (VENT FAN) on the control panel (VENT TO THE OUTSIDE OF YOUR FACILITY)
- 5 Find the switch marked (START WATER DISP) flip this switch up. This is a momentary switch and it will return to its normal position automatically after you flip it to the on position. This turns on the [DRY] heating system that is under the floor of the parts washer.
- 6 Please note the red pilot light on the control panel under the area marked (WASTE DISPOSAL PILOT LIGHT) The system will continue to operate until the finish temperature is reached and will then automatically turn off the floor heaters when the pilot light turns off, the waste water disposal process is complete. The water will evaporate at a rate of 3 to 10 gallons per hour depending on unit size and water/sludge conditions.
- 7 Unplug/disconnect your washer from it's electrical power source and allow the washer to cool down.
- 8 Follow all the instructions for washer service in the (ROUTINE SERVICE SECTION)



**NOTE:** Never try to use your wastewater disposal system on anything other than wastewater. Do not Add any solution with v.o.c.'s or flammables into your soap and water waste water disposal system.

# Set-UP and Operating Information

---

## Gas Heated Parts Washers

All gas heated parts washers both natural gas and liquid propane. First read your Wayne burner owners manual.

Your Wayne P265F burner has been jetted to the proper B.T.U. requirement for your parts washer's maximum heating and fuel efficiency. Your burner has been integrated into the parts washer wiring and the thermostatic control system that has been tested and pre set at the factory. The burner has electronic ignition with the "safe start system" {see page 12 of your Wayne manual}

---

***NOTE: DO NOT HOOK UP GAS VALE TO THE OIL SKIMMER OUTLET!!!***

---

What you, the new owner needs to is have a qualified gas technician connect the gas line to the combination gas valve on the gas burner, {See-page's 5 & 9 of your Wayne manual} you will find the combination valve located at the right of the parts washer. Look under the burner cover on the lower right rear of the parts washer and you will see the gas inlet port, connect and purge the gas line.

Install the stainless louvered heat shields on the lower front and the lower right of the heat chamber. (The right shields notched and the installation bolts are inside the washer.)

Next, you have 2-vent stacks in the parts washer. The one vent stack with the fan built into it, which is located on the left-hand side of the parts washer behind the pump/motor. It needs it's own vent line out of the building. See parts washer owners guide page 4 item #6. On the left top of the parts washer you will find the 6" gas exit stack, this also needs it's own vent out of the building. Because of the risk of carbon monoxide poisoning, we recommend you call a H.A.V.C. company and have a professional installation on the venting of the parts washer.



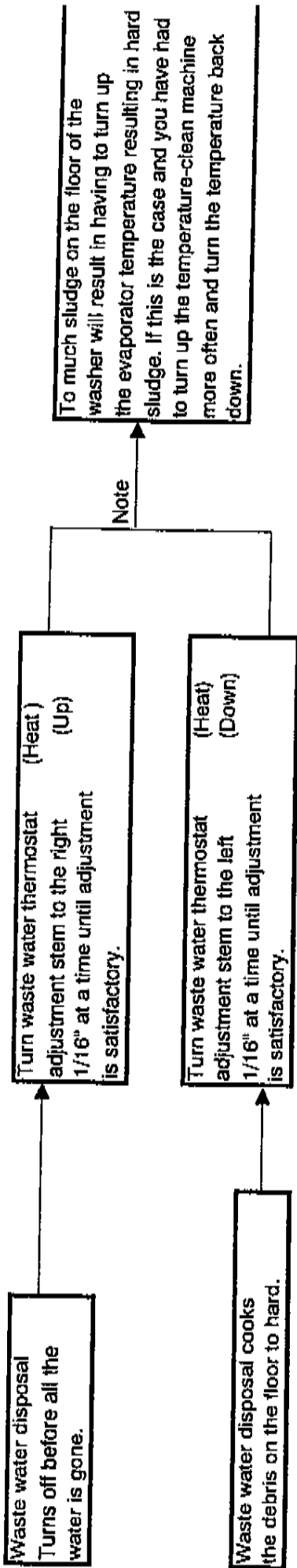
# **Trouble Shooting manual**

---

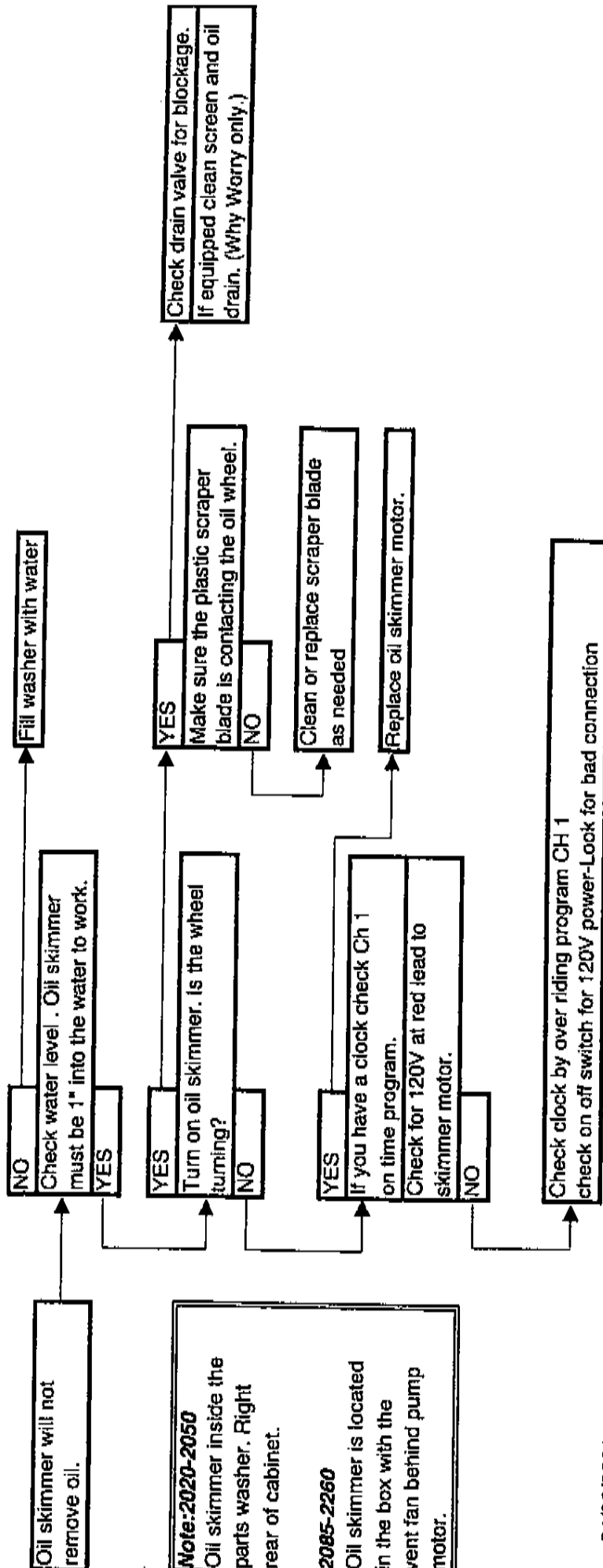
## **Parts washers:**

GENERAL SYMPTOMS & FIXES

**NOTE: If your washer has a fresh water fill shut it off.**



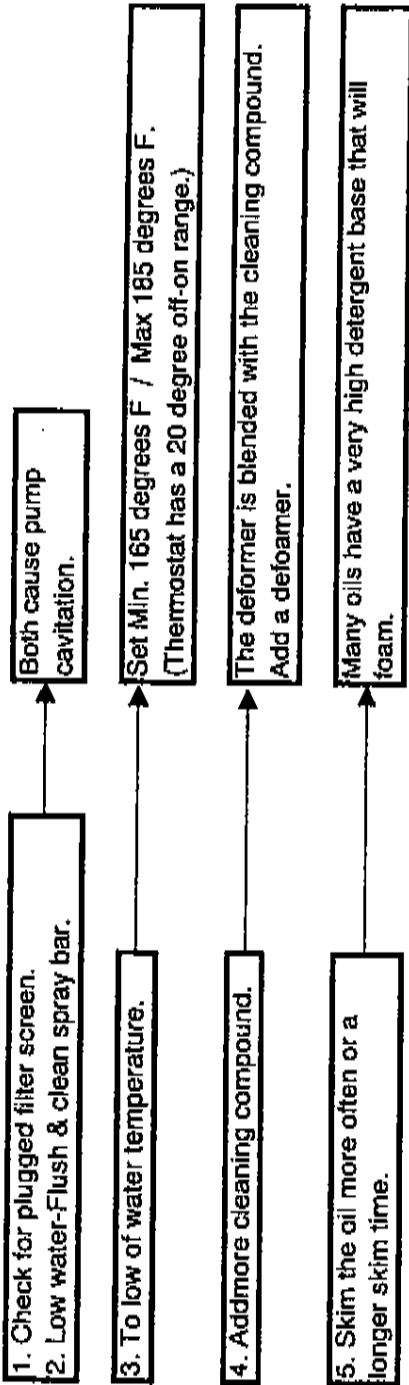
**NOTE: Skim oil on cold still water.**



**Note:2020-2050**  
Oil skimmer inside the parts washer. Right rear of cabinet.

**2085-2260**  
Oil skimmer is located in the box with the vent fan behind pump motor.

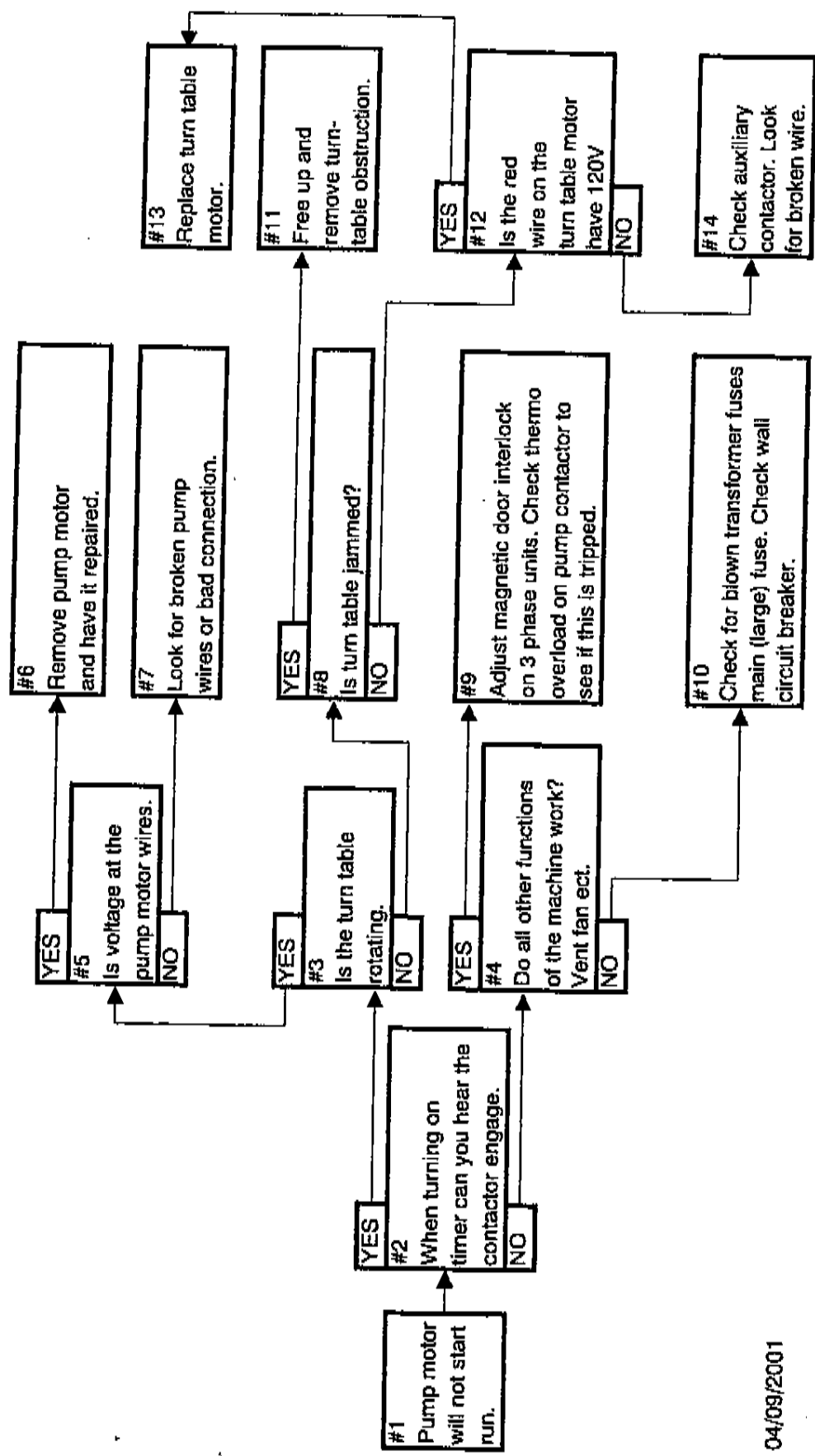
**MACHINE FOAMS:**



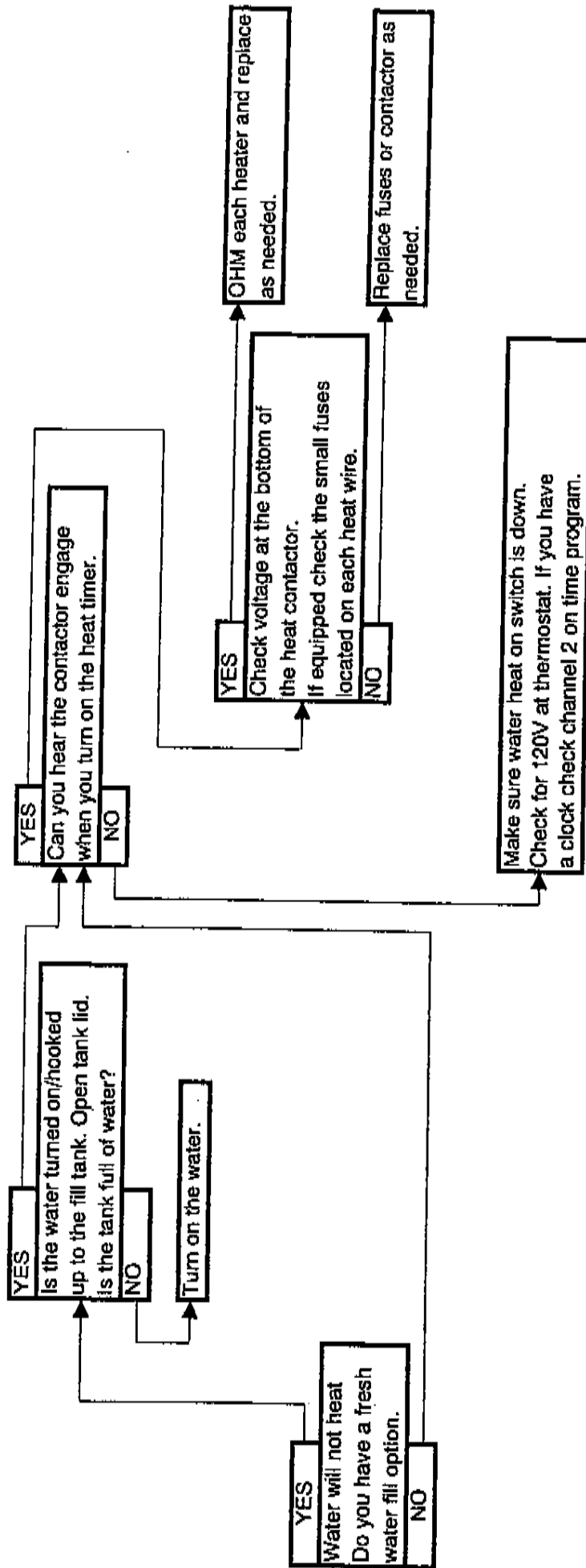
04/09/2001

Turn table will not rotate start at Step #8

Entire parts washer will not function. Start at Step #10



04/09/2001



## **WIRE COLOR CODES**

---

**ALL 120 VOLT LINES ARE TRANSFORMER SUPPLIED**

**RED - TURNTABLE-OILSKIMMER MOTOR 120V LINE---120V CONTROL VOLTAGE**

**BROWN - MAGNETIC DOOR INTER-LOCK SWITCH-----120V RELAY CONTROL VOLTAGE**

**ORANGE - WATER HEAT THERMOSTAT-----120V CONTACTOR CONTROL VOLTAGE**

**PINK & VIOLET - WASTE WATER THERMOSTAT-----120V CONTACTOR CONTROL VOLTAGE**

**BLUE - VENT FAN-----120V CONTROL VOLTAGE**

**GREEN - GROUND**

**WHITE - NEUTRAL**

**BLACK - HIGH VOLTAGE**

## PARTS WASHER WARRANTY

All parts washers are warranted to be free of defects in material and workmanship for one year from the date of original sale. Turntable, motor, and oil skimmer motors are guaranteed for two years from the date of the original sale.

The selection, installation, use, care, or repair of the product or use of cleaning soaps or repair parts not supplied or manufacturer may void the warranty.

This parts washer is to be used with soap designed for use in a recirculating hot water parts washers. Use of unsuitable chemicals may shorten the life of the components in the washer. If you are not using a recommended solution, you need a written authorization from AaLadin to use this solution.

Your parts washer has been engineered to provide protection from injury to operators of the parts washer. The manufacturer is not responsible for the personal injury or property damage resulting from operation of this equipment.

**THIS WARRANTY IS EXPRESSLY MADE IN LIEU OF ANY AND ALL OTHER WARRANTIES EXPRESSED OR IMPLIED INCLUDING THE WARRANTIES OF FITNESS FOR A PARTICULAR PURPOSE.**

This warranty excludes any and all incidental or consequential damages. Some states do not allow the exclusion or limitation of incidental or consequential damages, so the above exclusion may not apply to you. This warranty gives you specific legal rights. You may have other rights which will vary from state to state.

### OPERATING INSTRUCTIONS:

All operators are required to read and understand the owners manual and any other printed or verbal instructions prior to operating this parts washer. **IMPROPER OPERATION COULD RESULT IN BODILY INJURY OR DEATH IN ADDITION TO DAMAGE TO THE EQUIPMENT OR OTHER PROPERTY.**

### SHIPPING DAMAGE:

The manufacturer assumes no liability for damage or loss due to a common carrier.

### WARRANTY REGISTRATION:

Fill out warranty card in 15 days from delivery date to validate your warranty.

### WARRANTY REPAIR WORK:

If your parts washer fails to function properly, call your dealer. If the dealer is unavailable, call the manufacturer and they will see that you are given some assistance. Most problems can be solved over the phone. Your local dealer's service department will handle the repairs needed. **DO NOT** hire an outside contractor for your warranty repair work without written authorized consent from the manufacturer.

### RENEWED PARTS:

For any parts that the manufacture replaces, the defective part must be returned to us within 15 days from the date the new part is mailed. You will be invoiced for both orders, but will receive a credit from the manufacture when the returned parts are received by manufacturer.

## Limited Warranty

***The manufacturer warrants to persons who purchase its equipment that each new machine sold by "us" to be free from manufacturing defects in normal use for a period of(1) year, (with the exception of those components listed below) commencing with the delivery of the machine to the original owner.***

• Unit warranty of fabricated parts (frames, float tanks, doors, baskets, turn tables, ect..)	1 year
• Heaters	90 days
• Bearings	1 year
• Vaporizer	1 year
• Transformer (115v, 230v)	1 year
• Pump	1 year
• Pump motor	1 year
• Turn table & oil skimmer	2 years
• Pulleys	1 year
• GFCI cords	1 year
• Control and safety switches	1 year
• Switches and lights	1 year
• Belts	1 year
• Internal turntable bearing	Life time

***This warranty does not apply to wearable pump parts,pump seals, hard water damage, hoses, o-rings, clogged filters, nozzle wear, wet end of pump, paint, improper chemical use, or defects caused by damage or unreasonable use, (including failure to provide reasonable and necessary maintenance) while in the possession of the consumer.***



**Part Number 26-602012**

Revised 2/02.....**Printed in U.S.A.**